



Quick Detach Saddlebag Brackets

KEY CODE NUMBER _____
(Save this number for future key identification)

Applications **Model HRT-R2** Rev, 11/20/15

Harley Davidson Heritage Softail - 2000 - 2002

Before you begin, read these instructions and check to be sure all parts are accounted for.

<u>Qty.</u>	<u>Part Description</u>
2	Easy Brackets (ID number 23, stamped on brackets)
4	Docking Post
4	3/8 SS Button Head Bolt
4	5/16 x 1 3/4 Black Button Head Bolt
4	3/8 x 1 Black Button Head Bolt
4	Large Spacer
8	3/8 Nylon Locking Nut
4	5/16 Nylon Locking Nut
12	3/8 Fender Washers
4	5/16 Fender Washers
2	Key

Installation Instructions

1. Start on the RH side of the motorcycle. Remove the saddlebag from the motorcycle. Remove all existing mounting hardware from the saddlebag and from the motorcycle. **Note:** The pop rivets attaching the stock support brace to the saddlebags must be drilled out and removed.
2. Using the 3/8 SS button head bolts and 3/8 nylon locking nuts provided, attach the docking posts to each of the vacant rear fender bolt holes. Torque to 12 ft. lbs.
3. Repeat steps 1, and 2 on the LH side of the fender.
4. Install the EASY BRACKETS on the docking posts to verify proper fit. **Note:** Use the key provided to open the cam lock prior to installation on the docking posts. The key can not be removed until the cam lock is fully engaged under the docking post.
5. Remove the EASY BRACKET from the motorcycle. Install the 5/16 x 1 3/4 black button head bolt and the large spacer into the top mounting holes of the bracket. The front bolt will mount into the existing front hole in the saddlebag. Mark the location of the rear bolt on the saddlebag and drill the rear. Mount the saddlebag to the bracket with the top bolts and spacers only. Drill the bottom holes in the saddlebag for the bottom mounting bolts. Install the 3/8 x 1 black button head bolts into the bottom mounting holes using (2) fender washers between the bracket and the saddlebag (**All 4 mounting points MUST be utilized**).
6. Install the completed RH saddlebag with EASY BRACKET on the motorcycle. **Note: The cam lock must be fully engaged and the barrel key removed to ensure the EASY BRACKETS are properly installed and ready for use.**
7. Repeat steps 4, 5, and 6 on the LH side of the fender.

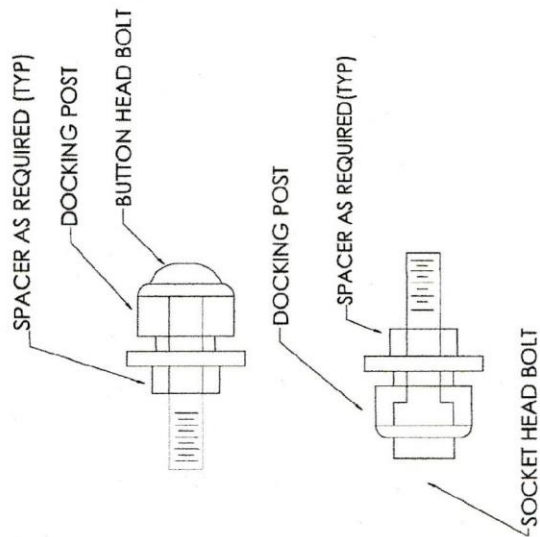
Notice to Consumer

Do NOT exceed 15 lbs. of total weight on the EASY BRACKET saddlebag removal system.

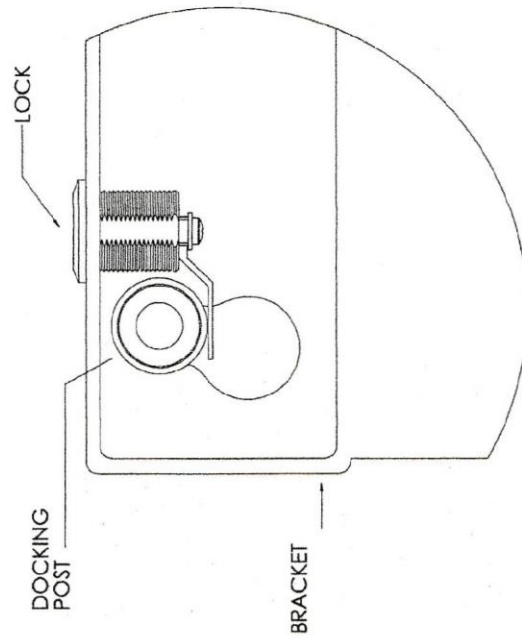
Neither the manufacturer nor the distributor or retailer of the EASY BRACKETS makes any express warranties of any kind with respect to the EASY BRACKETS. Any implied warranty does not cover defects caused by modification or alterations of the EASY BRACKETS or caused by physical abuse to or misuse of the EASY BRACKETS or its use and/or operation in a manner contrary to the accompanying instructions. Failure to install and/or use the EASY BRACKETS in the manner described by the accompanying instructions shall render all warranties, expressed and/or implied, void and release the manufacturer, distributor and retailer from any and all liability arising from the use of the EASY BRACKETS.

**For product support, damaged or missing parts, please contact Great Bike Gear at 866-521-3024
Do not return product without prior authorization.**

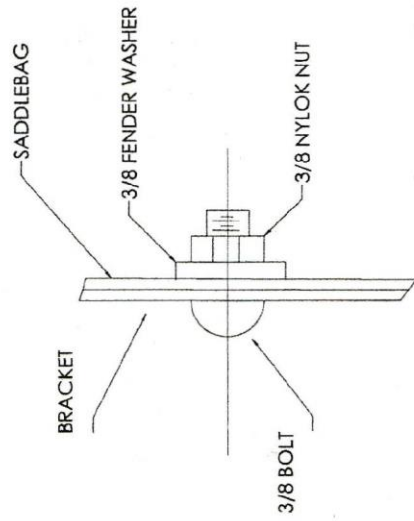
SEE REVERSE SIDE FOR ILLUSTRATIONS



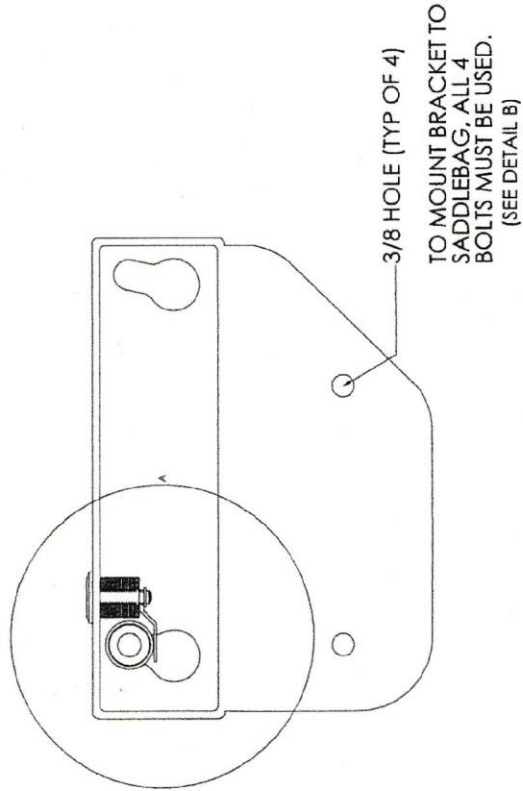
TYP BOLT/DOCKING POST



DETAIL A



DETAIL B



TYPICAL DETAILS