



Quick Detach Saddlebag Brackets

Visit www.greatbikegear.com to view installation video

KEY CODE NUMBER _____
(Save this number for future key identification)

Applications

Rev. 11/19/15

Harley Davidson Dyna - **Model DNA-L2DB**
2006 and newer Standard Dynas with Detachable Backrest

Before you begin, read these instructions and check to be sure all parts are accounted for.

<u>Qty.</u>	<u>Part Description</u>
2	Easy Brackets (ID number 4, stamped on brackets)
4	3/8 Docking Post
4	3/8 Polished SS Button Head Bolt
8	3/8 x 1 Black Button Head Bolt
8	3/8 Nylon Locking Nuts
8	3/8 Fender Washers
2	Keys

Installation Instructions

Note: Relocation of the turn signal lights is required on all Standard Dyna models. Relocation kits are available from Great Bike Gear, Inc.

1. After relocation of the turn signals and installation of the detachable backrest system, remove the bolt and post at the detachable backrest attachments from the RH side of the fender. To avoid movement of the fender, remove the forward bolt and complete step 2 prior to removing the rear post and completing step 2.
2. Using the 3/8 polished SS button head bolts, attach (1) docking post to the forward fender bolt hole, outside the detachable hardware and (1) docking post to the hole previously used for the turn signal post, outside the detachable hardware. Torque to 12 ft. lbs. **Note: When installing on a 2010 & later FXDWGI use the 3/8 x 3 1/4 bolt and nylon lock nut provided in relocation kit DWGMS-01DB at the rear bolt hole previously used for the turn signal bolt.**
3. Repeat steps 1 and 2 on the LH side of the fender.
4. Install the EASY BRACKETS on the docking posts. **Note:** Use the key provided to open the cam lock prior to installation on the docking posts. The key can not be removed until the cam lock is fully engaged under the docking post.
5. Hold the RH saddlebag against the EASY BRACKET. Position the saddlebag as desired noting the clearances from the seat, turn signals and any lower obstructions such as chain guards, axle nuts, and etc. Mark the outer edge of the bracket on the saddlebag. Remove the EASY BRACKET from the motorcycle.
6. Place the bracket on the saddlebag within the outline and drill the 4 holes for mounting. Attach the bracket to the saddlebag using the (4) 3/8 x 1 black button head bolts, (4) 3/8 fender washers and (4) 3/8 Nylon locking nuts (**All 4 mounting points MUST be utilized**). Install the completed RH saddlebag with EASY BRACKETS on the motorcycle. **Note: The cam lock must be fully engaged and the key removed to ensure the EASY BRACKETS are properly installed and ready for use.**
7. Repeat steps 4, 5, and 6 on the LH side of the fender.

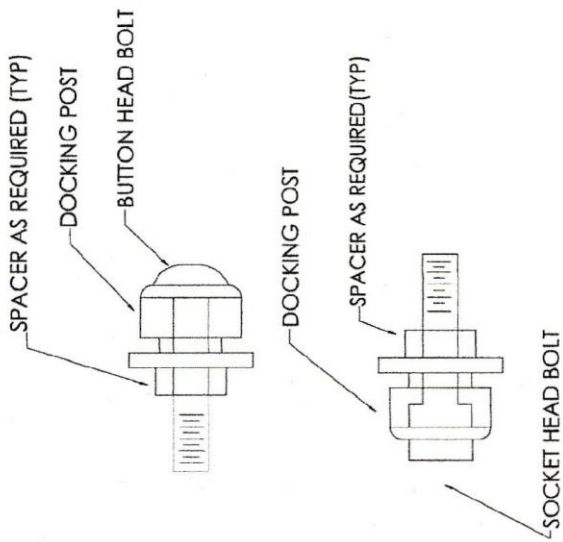
Notice to Consumer

Do not exceed 15 lbs. of total weight on the EASY BRACKET saddlebag removal system.

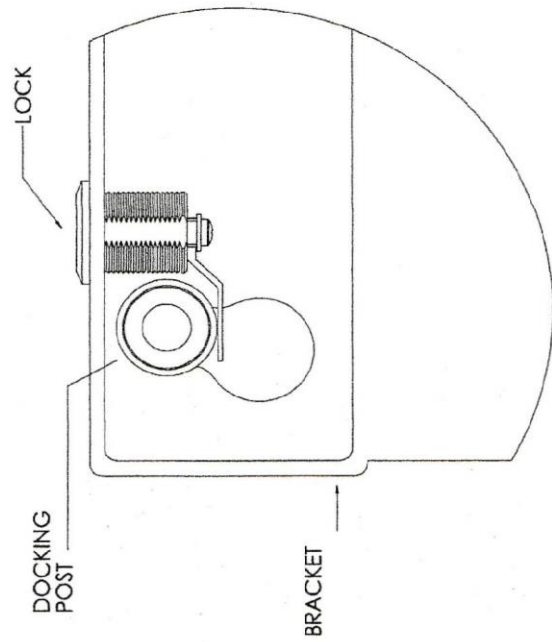
Neither the manufacturer nor the distributor nor retailer of the EASY BRACKETS makes any express warranties of any kind with respect to the EASY BRACKETS. Any implied warranty does not cover defects caused by modification or alterations of the EASY BRACKETS or caused by physical abuse to or misuse of the EASY BRACKETS or its use and/or operation in a manner contrary to the accompanying instructions. Failure to install and/or use the EASY BRACKETS in the manner described by the accompanying instructions shall render all warranties, expressed and/or implied, void and release the manufacturer, distributor and retailer from any and all liability arising from the use of the EASY BRACKETS.

**For product support, damaged or missing parts, please contact Great Bike Gear at 866-521-3024
Do not return product without prior authorization.**

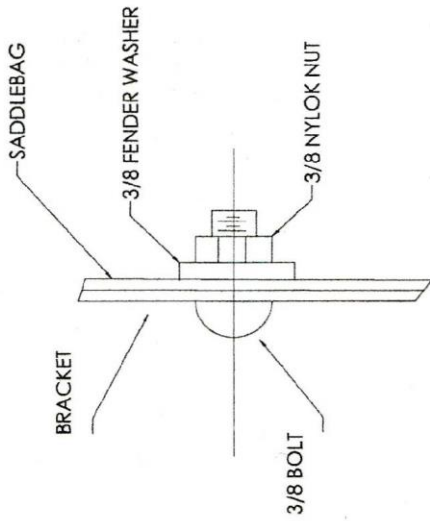
SEE REVERSE SIDE FOR ILLUSTRATIONS



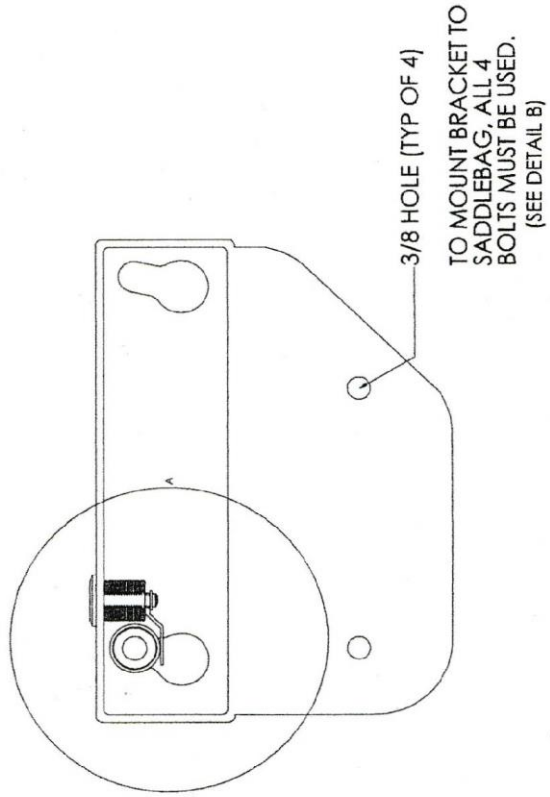
TYP BOLT/DOCKING POST



DETAIL A



DETAIL B



TYPICAL DETAILS