



Quick Detach Saddlebag Brackets

KEY CODE NUMBER _____
(Save this number for future key identification)

Applications Rev. 11/19/15

Triumph Bonneville - **Model BON-R1 (2001 and Later)**

Before you begin, read and understand these instructions and check to be sure all parts are accounted for.

| <u>Qty.</u> | <u>Part Description</u> |
|-------------|---|
| 2 | Mounting Brackets |
| 8 | 5/16" Flat Washers |
| 2 | Easy Brackets (ID number 17, stamped on brackets) |
| 4 | Docking Posts |
| 4 | 3/8 Polished SS Button Head Bolt |
| 8 | 3/8 x 1 Black Button Head Bolt |
| 12 | 3/8 Nylon Locking Nuts |
| 8 | 3/8 Fender Washers |
| 2 | Keys |

Installation Instructions

1. The Mounting System for the Triumph Bonneville must be installed prior to installation of the Easy Brackets. Instructions are for installing the Mounting System Brackets one side at a time.
2. Remove the Seat. Start on the right side, remove the bolt and washer at the top of the rear shock (to be re-used), remove the two button head bolts(to be re-used) at the rear mount of the grab rail (under the seat)
3. Place two of the supplied 5/16" flat washers under the Mounting System Bracket at each of the button head bolt locations and re-install the two button head bolts at the grab rail rear mounting point (loc-tite is recommended) re-use the shock washer between the Mounting System Bracket and the shock, re-install the top shock bolt (loc-tite is recommended) Check Triumph service manual for torque requirements. Repeat steps 2 and 3 for the left side.
4. Using the 3/8 polished SS button head bolts and 3/8 nylon locking nuts provided, attach the docking posts to each of the vacant holes in the Mounting System for the Bonneville. Torque to 12 ft. lbs.
5. Repeat steps 4 and 5 on the other side of the fender.
6. Install the EASY BRACKETS on the docking posts. **Note:** Use the key provided to open the cam lock prior to installation on the docking posts. The key can not be removed until the cam lock is fully engaged under the docking post.
7. Hold the RH saddlebag against the EASY BRACKET. Position the saddlebag as desired noting the clearances from the seat, turn signals and any lower obstructions such as chain guards, axel nuts, exhaust and etc. Mark the outer edge of the bracket on the saddlebag. Remove the EASY BRACKET from the motorcycle.
8. Place the bracket on the saddlebag within the outline and drill the 4 holes for mounting. Attach the bracket to the saddlebag using the (4) 3/8 x 1 black button head bolts, (4) 3/8 fender washers and (4) 3/8 Nylon locking nuts (**All 4 mounting points MUST be utilized**). Install the completed RH saddlebag with EASY BRACKETS on the motorcycle. **Note: The cam lock must be fully engaged and the key removed to ensure the EASY BRACKETS are properly installed and ready for use.**
9. Repeat steps 6, 7, and 8 on the LH side of the fender.

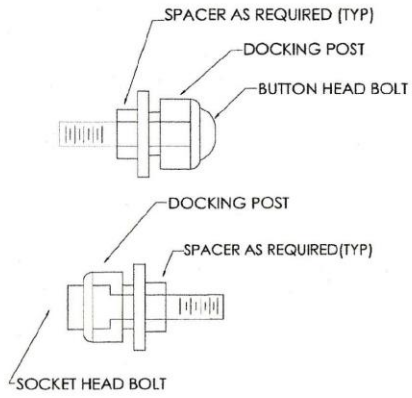
Notice to Consumer

Do not exceed 15 lbs. of total weight on the EASY BRACKET saddlebag removal system.

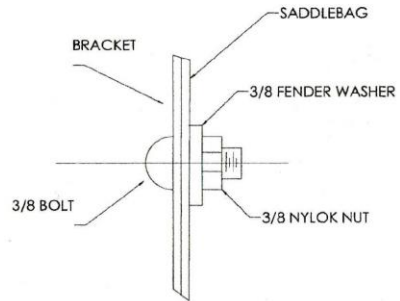
Neither the manufacturer nor the distributor or the retailer of the EASY BRACKETS makes any express warranties of any kind with respect to the EASY BRACKETS. Any implied warranty does not cover defects caused by modification or alterations of the EASY BRACKETS or caused by physical abuse to or misuse of the EASY BRACKETS or its use and/or operation in a manner contrary to the accompanying instructions. Failure to install and/or use the EASY BRACKETS in the manner described by the accompanying instructions shall render all warranties, expressed and/or implied, void and release the manufacturer, distributor and retailer from any and all liability arising from the use of the EASY BRACKETS.

**For product support, damaged or missing parts, please contact Great Bike Gear at 866-521-3024
Do not return product without prior authorization.**

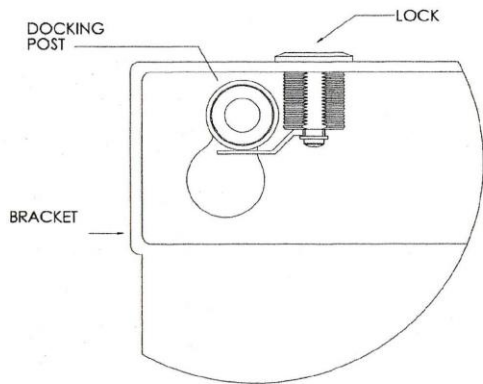
SEE REVERSE SIDE FOR ILLUSTRATIONS



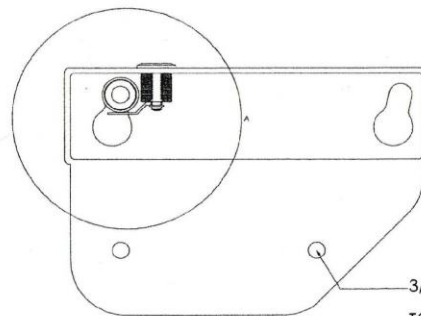
TYP BOLT/DOCKING POST



DETAIL B



DETAIL A



TO MOUNT BRACKET TO SADDLEBAG, ALL 4 BOLTS MUST BE USED. (SEE DETAIL B)

TYPICAL DETAILS